

Installation

Caution

To prevent the camera from falling, make sure to attach the supplied wire rope.

Suitable lens

The lens must be a CS-mount type and the protrusion behind the mounting surface must be 5.5 mm (7/32 inch) or less.

Caution

- Keep the lens mount cap on the camera when it is not attached to the lens.
- When you install it into a wall or a ceiling, check that the wall or the ceiling is strong enough to hold the weight of the camera including the mounting bracket, and install it without fail. If not, the camera falls down and causes a serious injury. Also, check if the mounting is not loosened at least once a year. Make the checking interval short according to use condition.
- Performance will depend on the installation environment and the lens itself. For details, contact your authorized Sony dealer.

Attaching the wire rope

When you install the camera on a ceiling or a high position, be sure to attach the supplied wire rope to prevent the camera from falling. Attach the wire rope to the screw hole on the rear of the camera, as in the illustration.

Note

Take care not to short-circuit the power terminal or the cable with the wire rope when you attach it.

- Secure the wire rope to the junction box on the ceiling. Use a screw to match the screw hole of your junction box (not supplied).
- Secure the wire rope to the wire rope mounting screw hole on the rear of the camera using the supplied screw.

Caution

Use the supplied screws for installation. If not, the wire rope may not function properly.

Adjusting the Camera Coverage and Focus

- Loosen the zoom ring locking screw to adjust the camera shooting coverage.
- Tighten the locking screw to fix the zoom.
- Loosen the focus ring locking screw to adjust the focus.
- Tighten the locking screw to fix the focus.
- Press the Easy Focus button on the rear to automatically adjust the focus.

Note

You may not achieve satisfactory focus with the Easy Focus button due to the shooting environment. In this condition, press and hold Easy Focus button for more than 4 seconds to return to the default flange back position. Then, adjust the focus following step 3 and 4.

Connection

Connecting to the Network

Connect the LAN cable of the camera to a router or hub in the network using the network cable (straight, not supplied).

To connect to a computer

Connect the LAN cable of the camera to the network connector of a computer using the network cable (cross, not supplied).

Connecting the Power Source

There are three ways to supply power to this camera, as follows.

- 12 V DC
- 24 V AC
- Power supply equipment pursuant to IEEE802.3af (PoE* system)

*PoE means Power over Ethernet.

Connecting to 12 V DC or 24 V AC source

Connect the power input cable of the camera to a 12 V DC or 24 V AC source.

- Use a 12 V DC or 24 V AC source isolated from 100 to 240 V AC. The acceptable voltage ranges for each are as follows.
 - 12 V DC: 10.8 V to 13.2 V
 - 24 V AC: 21.6 V to 26.4 V
- In the USA, The product shall be powered by a UL Listed Class 2 Power Supply Only.
- In Canada, The product shall be powered by a CSA certified Class 2 Power Supply Only.

Use UL cable (VW-1 style 10368) for these connections.

recommended cable

DC12 V:

CABLE(AWG)	#24	#22	#20
Max. length(m/feet)	8 (26.2)	14 (45.9)	20 (65.5)

AC24 V:

CABLE(AWG)	#24	#22	#20
Max. length(m/feet)	11 (36.1)	19 (62.3)	28 (91.9)

Connecting to the power supply equipment pursuant to IEEE802.3af

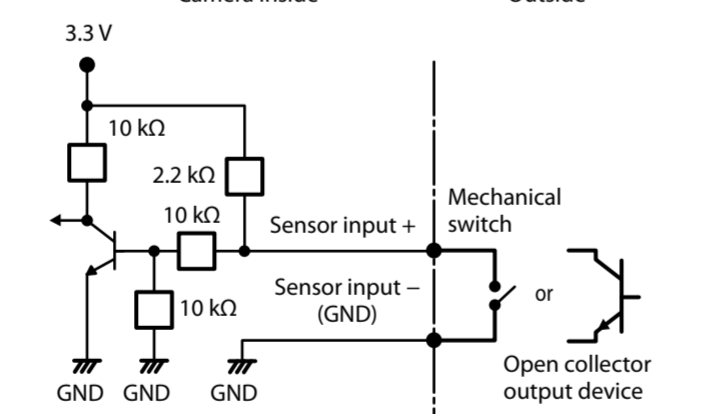
The power supply equipment pursuant to IEEE802.3af supplies the power through the LAN cable. For details, refer to the Instruction Manual of the equipment.

Connecting the I/O Cable

Connect the wires of the I/O cable as follows:

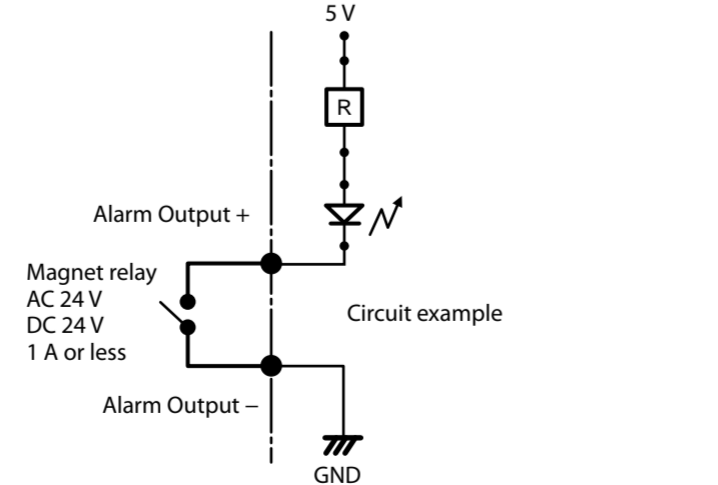
Wiring diagram for sensor input

Mechanical switch/open collector output device



Wiring diagram for alarm output

Camera inside



Specifications

Compression

Video compression format: JPEG/MPEG4/H.264
 Audio compression format: G.711/G.726 (40, 32, 24, 16 kbps)
 Maximum frame rate: SNC-CH135/CH140: H.264: 30 fps (1280 × 720) SNC-CH240: H.264: 30 fps (1920 × 1080)

Camera

Signal system: NTSC color system/PAL color system (switchable)
 Image device: SNC-CH135/CH140: 1/3type CMOS (Exmor) Effective picture elements: Approx. 1,390,000 SNC-CH240: 1/2.8type CMOS (Exmor) Effective picture elements: Approx. 3,270,000
 Synchronization: Internal synchronization
 Horizontal resolution: 600 TV lines (analog video)
 Video S/N: More than 50 dB (AGC 0 dB)
 Minimum illumination: SNC-CH140: F1.2/View-DR Off/VE off/AGC High/XDNR Middle/50 IRE (IP) Color 0.20 lx Black & White 0.10 lx SNC-CH240: F1.3/View-DR Off/VE off/AGC High/XDNR Middle/50 IRE (IP) Color 0.40 lx Black & White 0.25 lx

Lens

Focal length: SNC-CH140: 2.8 mm ~ 8 mm SNC-CH240: 2.8 mm ~ 6 mm
 Maximum relative aperture: SNC-CH140: F1.2 ~ F1.9 SNC-CH240: F1.3 ~ F1.9
 View angle: SNC-CH140: Vertical: 76.2° ~ 27.2° (1280 × 1024) Horizontal: 96.5° ~ 33.9° SNC-CH240: Vertical: 74.2° ~ 35.2° (1920 × 1440) Horizontal: 101.2° ~ 47.0°
 Minimum object distance: 300 mm

Interface

LAN port: 10BASE-T/100BASE-TX, auto negotiation (RJ-45)
 Sensor input: × 1, make contact, break contact
 Alarm output: × 2, 24 V AC/DC, 1 A (mechanical relay outputs electrically isolated from the camera)

CF card slot: CF Type I/II
 Video output: VIDEO OUT: BNC, 1.0 Vp-p, 75 ohms, unbalanced, sync negative

Microphone input*: Minijack (monaural)
 Plug-in-power supported (rated voltage: 2.5 V DC)
 Recommended load impedance: 2.2 kΩ

Line input*: Minijack (monaural)
 *The microphone input and the line input are switchable with operating menu.

Line output: Minijack (monaural), Maximum output level: 1 Vrms

Others

Power supply: 12 V DC ± 10%
 24 V AC ± 10%, 50 Hz/60 Hz
 IEEE802.3af compliant (PoE system)
 Power consumption: SNC-CH135/CH140: 9.0 W max. SNC-CH240: 11.2 W max.
 Operating temperature: Start temperature: 0°C~50°C (32°F to 122°F) Working temperature: -10°C~+50°C (14°F to 122°F)
 Storage temperature: -20°C to +60°C (-4°F to +140°F)
 Operating humidity: 20% to 80%
 Storage humidity: 20% to 95%
 Dimensions (w/h/d): SNC-CH135: 72 mm × 63 mm × 145 mm (2 7/8 inches × 2 1/2 inches × 5 3/4 inches) not including the projecting parts and lens SNC-CH140: 72 mm × 63 mm × 197 mm (2 7/8 inches × 2 1/2 inches × 7 7/8 inches) with lens not including the projecting parts SNC-CH240: 72 mm × 63 mm × 197.3 mm (2 7/8 inches × 2 1/2 inches × 7 7/8 inches) with lens not including the projecting parts

Mass: SNC-CH135: Approx. 540 g (1 lb 3.1 oz) without lens SNC-CH140: Approx. 600 g (1 lb 5.2 oz) with lens SNC-CH240: Approx. 650 g (1 lb 6.9 oz) with lens
 Supplied accessories: CD-ROM (Users Guides, and supplied programs) (1)
 Wire rope (1)
 Screw M4 (1)
 Installation Manual (this document) (1)
 Wireless card SNCA-CFWS*
 Wireless LAN antenna SNCA-AN1*
 *SNCA-CFWS, SNCA-AN1 may not be purchasable in some regions. For details, contact your Sony service representative.

Design and specifications are subject to change without notice.

Recommendation of Periodic Inspections

In case using this device over an extended period of time, please have it inspected periodically for safe use. It may appear flawless, but the components may have deteriorated over time, which may cause a malfunction or accident. For details, please consult the store of purchase or an authorized Sony dealer.